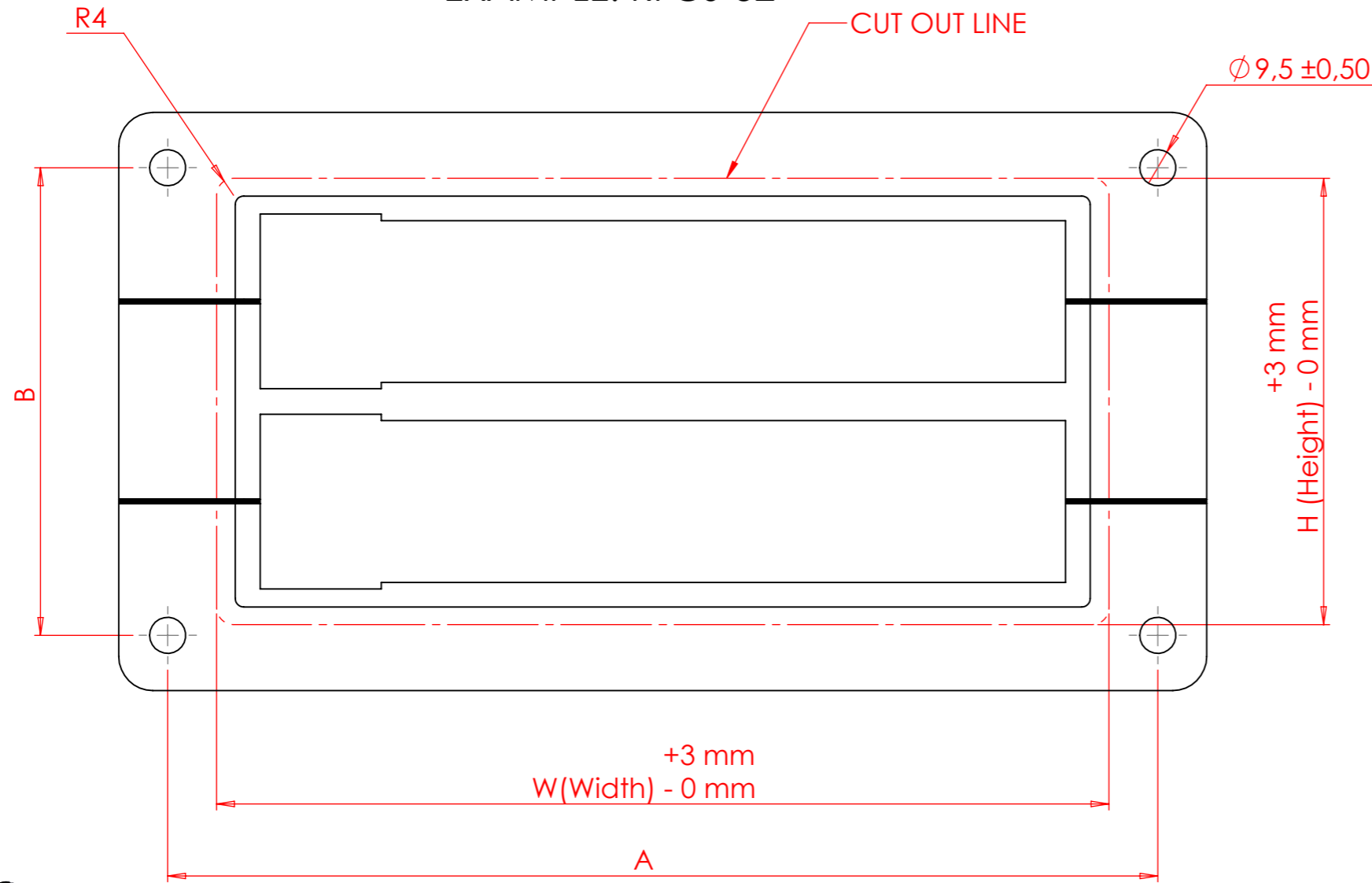


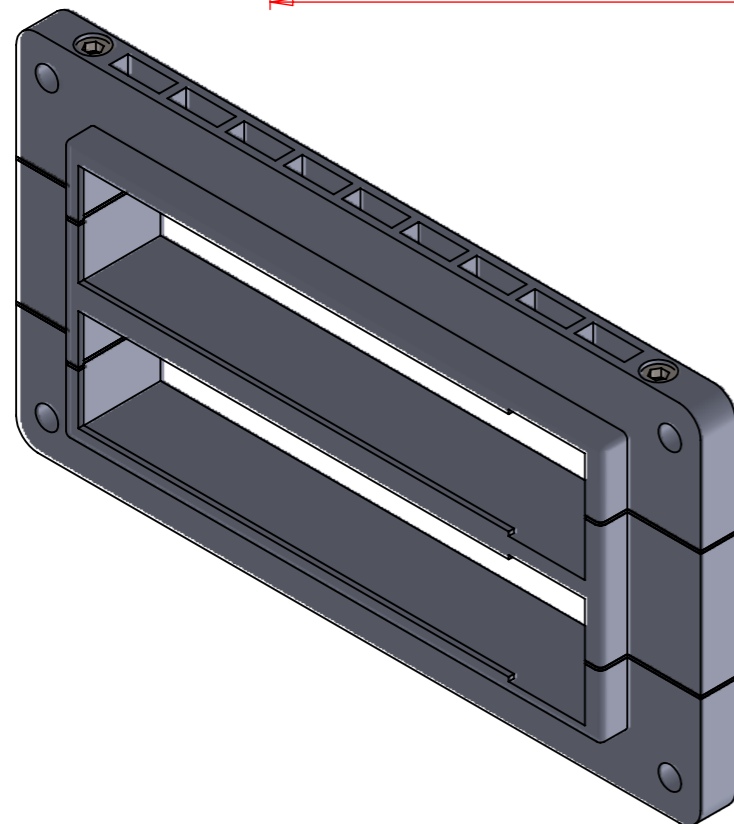
THIS DOCUMENT MUST NOT BE COPIED WITHOUT OUR WRITTEN PERMISSION, AND THE CONTENTS THEREOF MUST NOT BE IMPARTED TO A THIRD PARTY NOR BE USED FOR ANY UNAUTHORIZED PURPOSE. CONTRAVENTION WILL BE PROSECUTED.

EXAMPLE: RFCS-32



REVISIONS			
REV.	DESCRIPTION	DATE	SIGNATURE
A		2023-04-13	PB

Frame size	A	B	H (Height)	W (Width)
RFCS-10	172	64	54	145
RFCS-12	193	62	54	165
RFCS-16	233	62	54	205
RFCS-18 C	244	94	73	235
RFCS-20	172	110	100	145
RFCS-24	193	108	100	165
RFCS-32	233	108	100	205
RFCS-36	193	154	146	165
RFCS-48	233	154	146	205
RFCS-60	DWG	DWG	238	165
RFCS-64	DWG	DWG	192	205
RFCS-16x5	DWG	DWG	238	205



Ritad Drawn	Kontr. Check	Granskad Reviewed	Godkänd Approved	Tolerans där ej annat anges Tolerance unless otherwise not stated.	Smst. nr. Assembly drawing no.	Ersätter Replaces	E
PB	PB	OF	ML	Ytjämnhet där ej annat anges. Surface finish otherwise not stated.	Material	Ersatt av Replaced of	Vikt Weight
230404	230413	230413	230414	Alla mått och uppgifter avser färdig produkt om ej annat anges. All measures and other information refer to finished products unless otherwise not stated.		Kund ordernr. Customer order no	
				CUT OUT DIMENSIONS FOR RFCS		Ritn. nr. Draw. no.	Rev.
						1230111	A